

# XLED PRO Expanse S

with motion detector - white  
 EAN 4007841 091217  
 Article number 091217



<b>LED</b>	<b>3000 K</b>								
30 years (Ø 4,5h / day)	3000K warm-white	infrared sensor 240°	max. Ø 12 m	IP54	IK03	2 - 2000 lux	10 sec - 15 min	Light source not exchangeable	Control gear not exchangeable

## Function description

Panoramic light right into every corner. The XLED PRO Expanse S LED sensor spotlight illuminates even the most hidden corners. With three powerful light surfaces, it offers wide-angle panoramic illumination that bathes even hard-to-reach areas in bright light. With 14,3 W and 1642 lm, the XLED PRO Expanse S delivers powerful, warm light (3000 K) that perfectly illuminates the surroundings. The 240° sensor with a range of 12 m reliably detects every movement and makes dark corners a thing of the past. Whether up, down, right or left – the spotlight can be fully rotated, tilted and locked, and can therefore be adjusted to suit individual needs. Thanks to its IP54 classification and robust IK03 construction, it is also highly resistant and comes with a 5-year warranty. Available in anthracite and white, as well as a version without a motion detector. Corner wall brackets are available as an optional extra.

## Technical specifications

Dimensions (L x W x H)	195 x 195 x 198 mm	Mechanical scalability	No
With lamp	Yes, LED lamp	Photo-cell controller	Yes
With motion detector	Yes	Luminous flux total product	1642 lm
Manufacturer's Warranty	5 years	Measured luminous flux (360°)	1642 lm
Settings via	Potentiometers	Total product efficiency	115 lm/W
Version	with motion detector - white	Colour temperature	3000 K
PU1, EAN	4007841091217	Service life LED L70B50 (25°)	> 60000 h
Application, place	Outdoors	Soft light start	No
Application, room	garden, front door, courtyard & driveway, warehouse, all round the building, sports hall, terrace / balcony	Functions	Motions sensor, Light sensor
Colour	white	Twilight setting	2 – 2000 lx
Includes corner wall mount	No	Time setting	10 s – 15 Min.
Installation site	wall	Basic light level function	No
Installation	Surface wiring, Wall	Main light adjustable	No
Impact resistance	IK03	Twilight setting TEACH	No
		Interconnection	Yes

Sensor-switched LED floodlight - Professional Line

# XLED PRO Expanse S

with motion detector - white  
EAN 4007841 091217  
Article number 091217



## Technical specifications

IP-rating	IP54
Protection class	II
Ambient temperature	from -20 up to 40 °C
Housing material	Polycarbonate
Mains power supply	220 – 240 V / 50 – 60 Hz
Mounting height max.	6,00 m
Sneak-by guard	Yes
Capability of masking out individual segments	Yes
Electronic scalability	No

Type of interconnection	Master/master, Sensor/slave
Interconnection via	Cable
Output	14,3 W
R9-Farbwideregabeindex	18
Optimum mounting height	2 m
Detection angle	240 °
Product category	Sensor-switched LED floodlight
Energy efficiency class of light source	E

## Accessories

EAN 4007841 055615

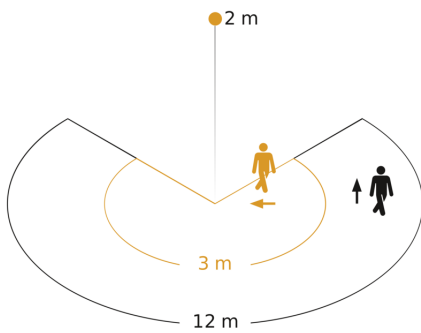
Corner wall mount XLED Home 2/ Protect/ Pro 240/ PRO Expanse white

# XLED PRO Expand S

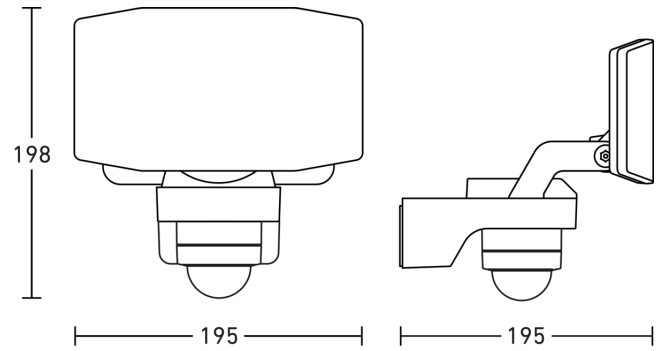
with motion detector - white  
EAN 4007841 091217  
Article number 091217



## Detection Zone

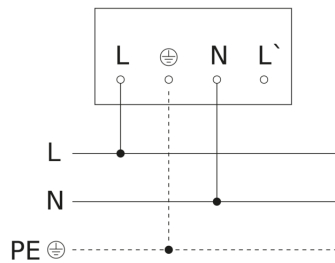


## Dimension Drawing

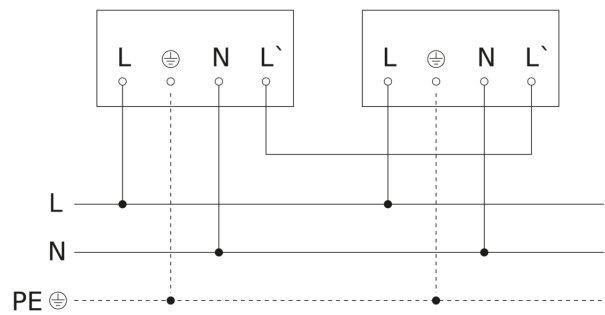


Possible mounting height: 1,80 m - 6,00 m  
Orange: radial  
Black: tangential

## Master circuit diagram



## Master/master interconnection circuit diagram



# XLED PRO Expanse S

with motion detector - white

EAN 4007841 091217

Article number 091217

## Master/slave interconnection circuit diagram

